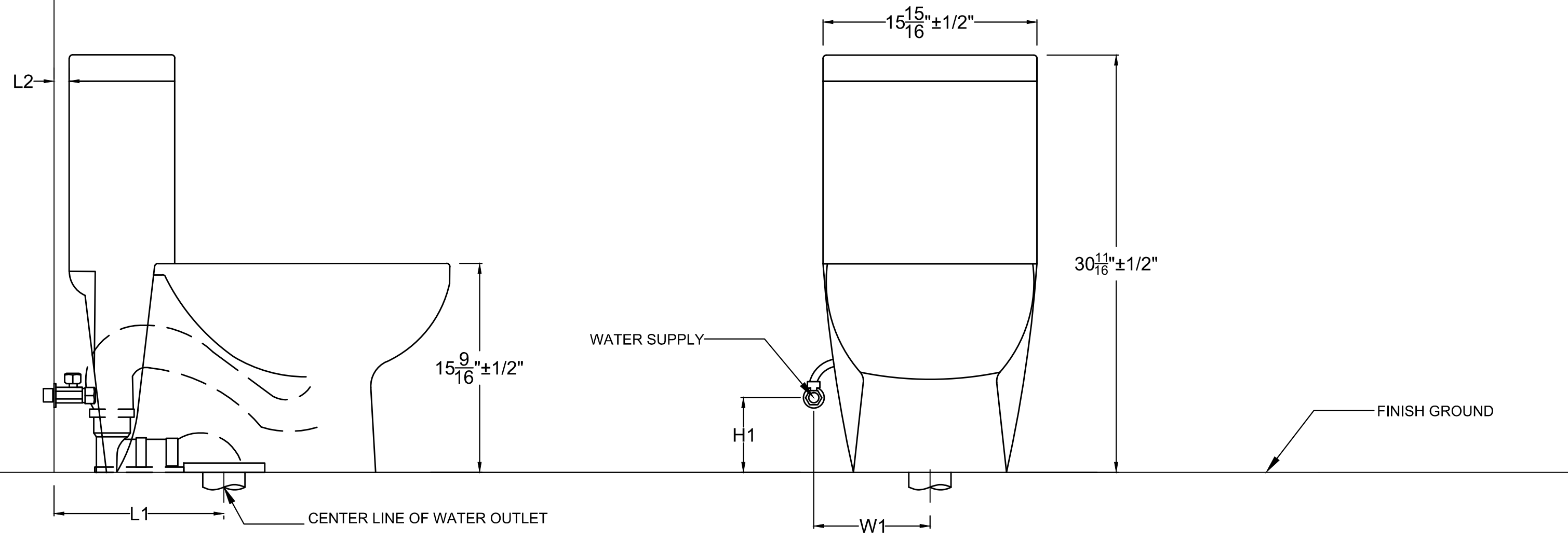
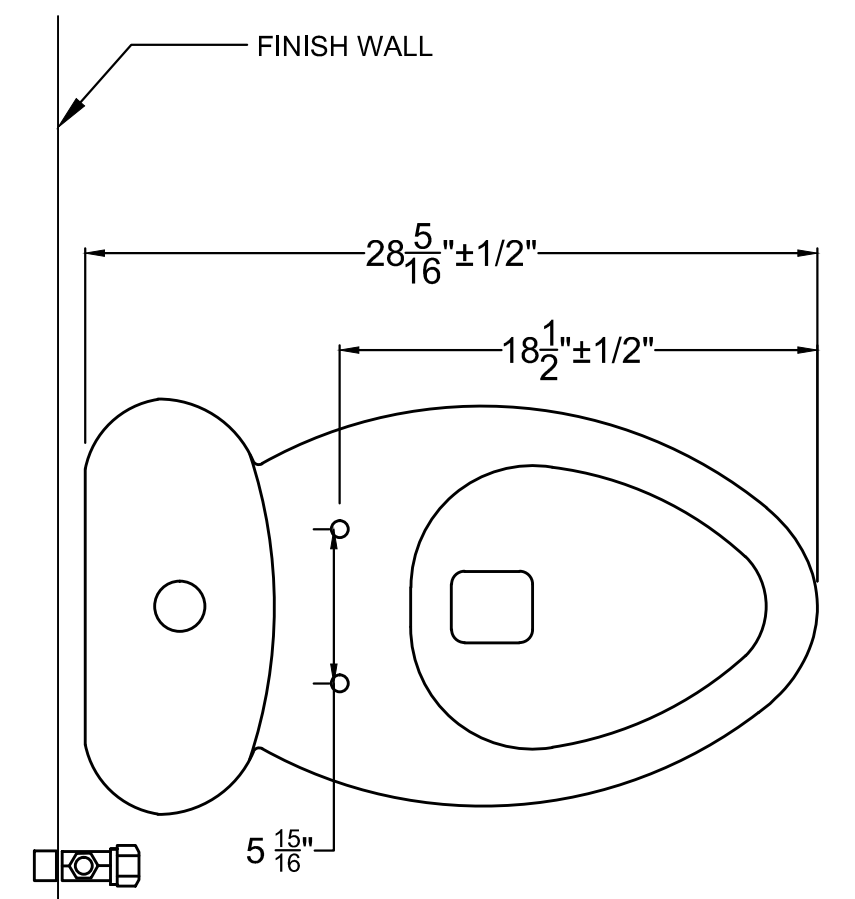


REVISIONS		
REV	DESCRIPTION	DATE

ONE PIECE SIPHONIC CLOSET

MODEL NUMBER	TB309-1M/L	
SIZE	28 $\frac{5}{16}$ "x15 $\frac{15}{16}$ "x 30 $\frac{11}{16}$ "	
WATER CONSUMPTION	1.5 GALLONS	
FLUSH TYPE	SIPHONIC TYPE	
DIAMETER OF OUTLET	3 $\frac{3}{8}$ "	
ROUGHING-IN	CODE	L1
	M	12"
	L	15 $\frac{3}{4}$ "

INSTALLATION SIZE SUGGESTION	
H1	6"
W1	9 $\frac{7}{16}$ "
L2	0- $\frac{3}{4}$ "



NOTE: SPAWORLD RESERVES THE RIGHT TO CHANGED SPECIFICATION AND SIZE WITHOUT NOTICE.



TB309-1M/L		THIS DRAWING CONTAINS INFORMATION PROPRIETARY TO SPA WORLD CORP. IT IS SUBMITTED IN CONFIDENCE AND IS TO BE USED SOLELY FOR THE PURPOSE FOR WHICH IT IS FURNISHED AND RETURNED UPON REQUEST. THIS DRAWING AND SUCH INFORMATION IS NOT TO BE REPRODUCED, TRANSMITTED, DISCLOSED, OR USED OTHERWISE IN WHOLE OR IN PART WITHOUT WRITTEN AUTHORIZATION OF SPA WORLD CORP.
DWG. BY: SPA WORLD	DATE: 7/19/2013	
CHK.	DATE	
APPR.	DATE	
MFG.	DATE	
QC. FINAL SIZES	DATE	
SCALE:	SHEET OF: [:]	Patent(s) May Apply