

4060N

40 1/2" x 58" x 23"

Installation: Drop-in
cannot be under mounted

GENERAL SPECIFICATIONS:

Material: Acrylic
Plumbed Weight: 130lbs / 57 kg
Soaker Weight: 100 lbs / 45 kg
Average Fill: 60 gal to above jet level

ELECTRICAL SPECIFICATIONS:

Required Electrical	Service 110 Volt
Air Bath or Whirlpool	1-15 amp GFCI
Whirlpool with Inline Heater	1-20 amp GFCI
Dual Bath	1-20 amp GFCI
Soaker	

PACKAGES AND OPTIONS

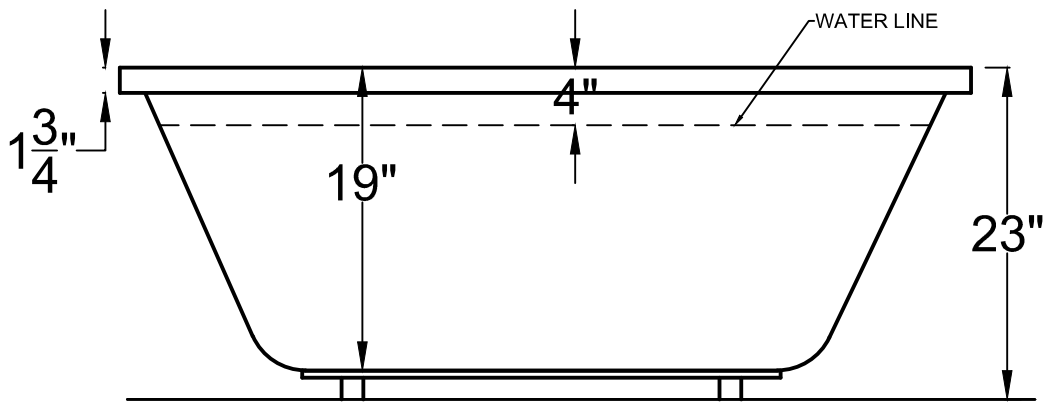
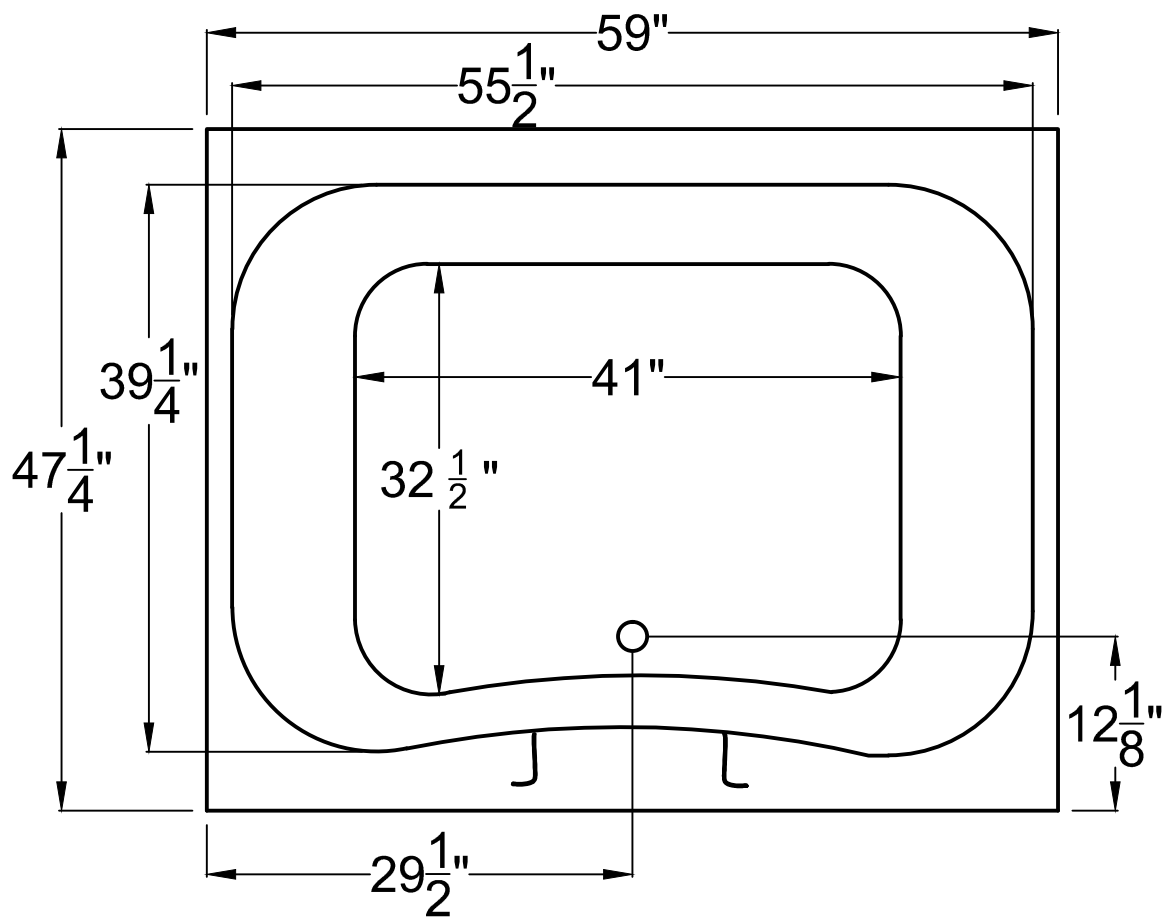
Hydrotherapy Package	Package Contents	Part #
Soaker	soaking bath - no jets, textured bottom	4060NS
Whirlpool	8point-massage jets, 1-hp pump, textured bottom	4060NH
Air Bath	24 air jets, air blower, textured bottom	4060NA
Dual Bath	8 point-massage jets, 1-hp pump, 24 air jets, air blower, textured bottom	4060ND

OPTIONS

Colors Available - White Biscuit
 Quick Ship - reduces lead time - call for availability
 Inline Heater with Pump - Whirlpool or Dual Bath
 Lift & Turn Drain Kit -Chrome,Brushed Nickel, White

IMPORTANT INFORMATION

- Before ordering or installing, please consider future access to equipment.
- Add bedding compound to fully level and support bottom of tub.
- Tubs equipped with an air bath or a pre-leveled foam base are designed to rest on the floor without bedding compound, provided the floor is level.
- Please measure tub on-site before building tub decking.
- Jet, pump & blower locations are predetermined and cannot be changed.
- Suction and control locations may vary.
- Specifications and configurations are subject to change without notice.
- Measurements are +1/2" and are subject to change without notice.
- Measurements herein supersede all others published prior to publication date shown below.



4860N

40¹/₂" x 59" x 23"

Installation: Drop-in
cannot be under mounted

GENERAL SPECIFICATIONS:

Material Acrylic

Plumbed Weight : 140lbs / 64kg

Soaker Weight : 110 lbs / 50kg

Average Fill: 45 gal to above jet level

ELECTRICAL SPECIFICATIONS:

Required Electrical

Service 110 Volt

Air Bath or Whirlpool

1-15 amp GFCI

Whirlpool with Inline Heater

1-20 amp GFCI

Dual Bath

1-20 amp GFCI

Soaker

PACKAGES AND OPTIONS

Hydrotherapy Package	Package Contents	Part #
Soaker	soaking bath - no jets, textured bottom	4860NS
Whirlpool	8point-massage jets, 1-hp pump, textured bottom	4860NH
Air Bath	26 air jets, air blower, textured bottom	4860NA
Dual Bath	8 point-massage jets, 1-hp pump, 26 air jets, air blower, textured bottom	4860ND

OPTIONS

Colors Available - White Biscuit

Quick Ship - reduces lead time - call for availability

Inline Heater with Pump - Whirlpool or Dual Bath

Lift & Turn Drain Kit -Chrome,Brushed Nickel, White

IMPORTANT INFORMATION

- Before ordering or installing, please consider future access to equipment.
- Add bedding compound to fully level and support bottom of tub.
- Tubs equipped with an air bath or a pre-leveled foam base are designed to rest on the floor without bedding compound, provided the floor is level.
- Please measure tub on-site before building tub decking.
- Jet, pump & blower locations are predetermined and cannot be changed.

- Suction and control locations may vary.
- Specifications and configurations are subject to change without notice.
- Measurements are +1/2" and are subject to change without notice.
- Measurements herein supersede all others published prior to publication date shown below.